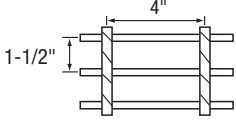
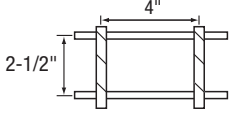
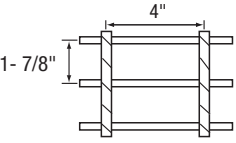
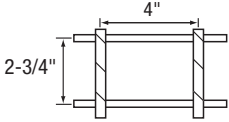
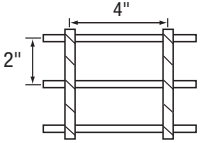
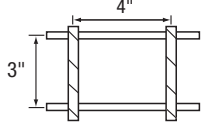
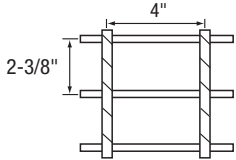
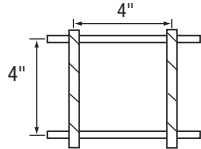




GRATING PACIFIC

ARCHITECTURAL PRODUCTS

ARCHITECTURAL PATTERNS

24-x-4  Bearing Bars @ 1-1/2" O.C. Cross Bars @ 4" O.C.	40-x-4  Bearing Bars @ 2-1/2" O.C. Cross Bars @ 4" O.C.
30-x-4  Bearing Bars @ 1-7/8" O.C. Cross Bars @ 4" O.C.	44-x-4  Bearing Bars @ 2-3/4" O.C. Cross Bars @ 4" O.C.
32-x-4  Bearing Bars @ 2" O.C. Cross Bars @ 4" O.C.	48-x-4  Bearing Bars @ 3" O.C. Cross Bars @ 4" O.C.
38-x-4  Bearing Bars @ 2-3/8" O.C. Cross Bars @ 4" O.C.	64-x-4  Bearing Bars @ 4" O.C. Cross Bars @ 4" O.C.

Each product is available in steel, aluminum, or stainless steel, assembled by any of the manufacturing methods presented on this website. To specify the appropriate material and manufacturing method, replace the "x" in the above part number with any of the following designations:

FOR STEEL PRODUCTS

"W" for Welded Grating
 "DT" for Dovetail Pressure Locked
 "SL" for Swage Locked

FOR ALUMINUM PRODUCTS

"SG" for Swage Locked
 "ADT" for Dovetail Pressure Locked
 "SGI" for Swaged I-Bar
 "SGF" for Swaged Flush Top

FOR STAINLESS STEEL PRODUCTS

"WS" for Welded Grating
 "DTS" for Dovetail Pressure Locked
 "SLS" for Swage Locked

BEARING BAR SIZES

Select from the following range of bearing bars:

1" x 1/8"	1" x 3/16"
1-1/4" x 1/8"	1-1/4" x 3/16"
1-1/2" x 1/8"	1-1/2" x 3/16"
1-3/4" x 1/8"	1-3/4" x 3/16"
2" x 1/8"	2" x 3/16"
	2-1/4" x 3/16"
	2-1/2" x 3/16"
	3" x 3/16"

Contact Grating Pacific for additional custom products including:

- Additional bearing bar sizes and spacings
- Additional cross bar spacings
- Full-depth rectangular cross bars
- Special fabrication and finishing

Sample Specifications:

32-W-4 1 x 1/8 for welded steel with 1" x 1/8" bearing bars at 2" on center and welded cross bars at 4" on center.

40-ADT-4 1-1/2 x 3/16 for dovetail aluminum with 1-1/2" x 3/16" bearing bars at 2-1/2" on center and cross bars at 4" on center.

38-SLS-4 2 x 3/16 for swage locked stainless steel with 2" x 3/16" bearing bars at 2-3/8" on center and cross bars at 4" on center.

